

# Push Pull Control Rod Rectangle Bezel Version

## Overview

- Low profile push pull assembly for use on discharge lines for side mount pump panels

## Benefits

- One piece assembly with mounting studs for easy installation
- Push Pull has custom ergonomic soft-grip handle
- No visible screw heads on assembly for clean look
- Uses standard 1 x 3 name plates
- Perfect match to our one piece module assembly

## Standard Features

- Bezel material: Zamak 3 (zinc); chrome plated SC1
- Handle: Zamak 3 (zinc); chrome plated SC1 with UV resistant silicon molded grip
- Shaft: Aluminum extrusion; hard anodized finish
- Housing: die cast aluminum; anodized black
- Bushings: bronze
- Swivel ends: brass, male or female
- Springs: stainless steel
- Hardware: stainless steel



---

### Thuemling Instrument Group

1225 Pearl Street, Waukesha, WI 53186 • Phone: 262-547-1789 • Fax: 262-547-6493  
Web: [www.thuemling.com](http://www.thuemling.com) • Email: [thuemling@earthlink.net](mailto:thuemling@earthlink.net)

© 2011 Copyright Thuemling Instrument Group



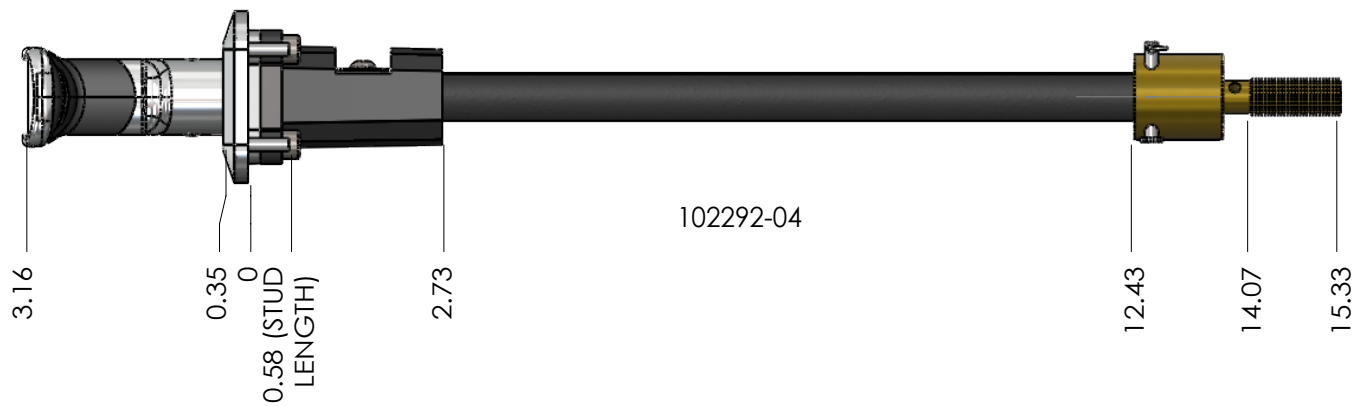
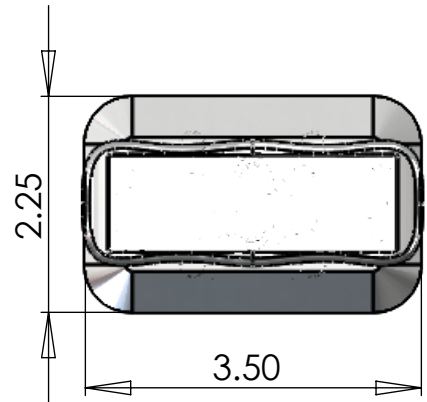
## Push Pull Control Rod Rectangle Bezel Version

### Ordering Guide

#### MODEL NUMBERS:

SZ20850 14" Rod length - female end

SZ20831 14" Rod length - male end



#### Thuemling Instrument Group

1225 Pearl Street, Waukesha, WI 53186 • Phone: 262-547-1789 • Fax: 262-547-6493  
Web: [www.thuemling.com](http://www.thuemling.com) • Email: [thuemling@earthlink.net](mailto:thuemling@earthlink.net)

