

Module One Piece Assembly

Overview

- Mounting bezel and push pull assembly
- Includes pressure gauge
- Original Span design fire apparatus gauge
- Commonly used for discharge line pressure

Benefits

- One piece assembly with mounting studs for easy installation
- Push Pull has custom ergonomic soft-grip handle
- No visible screw heads on assembly for clean look
- Full 2 1/2" gauge for easy readability

Standard Features

- Case material: Zytel nylon
- Bezel material: Chrome plated nylon
- Socket: 1/4" NPT male brass lower back connection with DOT installed
- Kem-X: installed in 1/4" brass socket
- Bourdon Tube: Phosphor bronze
- Lens: Acrylic
- Fill Fluid: Non yellowing low temperature glycerin – rated -40 to +150 F service; ICD fully filled case with temperature compensating internal diaphragm
- Dial: 2 1/2" Aluminum, two-sided baked enamel finish
- Accuracy: 1% full scale – ANSI Grade 1A
- Ranges: 0-400; 0-600; 30-0-400; 30-0-600; PSI; PSI/KPA; KPA
- Pointer: Black Aluminum
- Mounting: One piece mounting bracket with adhesive gasket for waterproof seal
- Gasket: EPDM



- Bezel material: Zamak 3 (zinc); chrome plated SC1
- Handle: Zamak 3 (zinc); chrome plated SC1 with UV resistant silicon molded grip
- Shaft: Aluminum extrusion; hard anodized finish
- Housing: die cast aluminum; anodized black
- Bushings: bronze
- Swivel ends: brass, male or female
- Springs: stainless steel
- Hardware: stainless steel

Thuemling Instrument Group

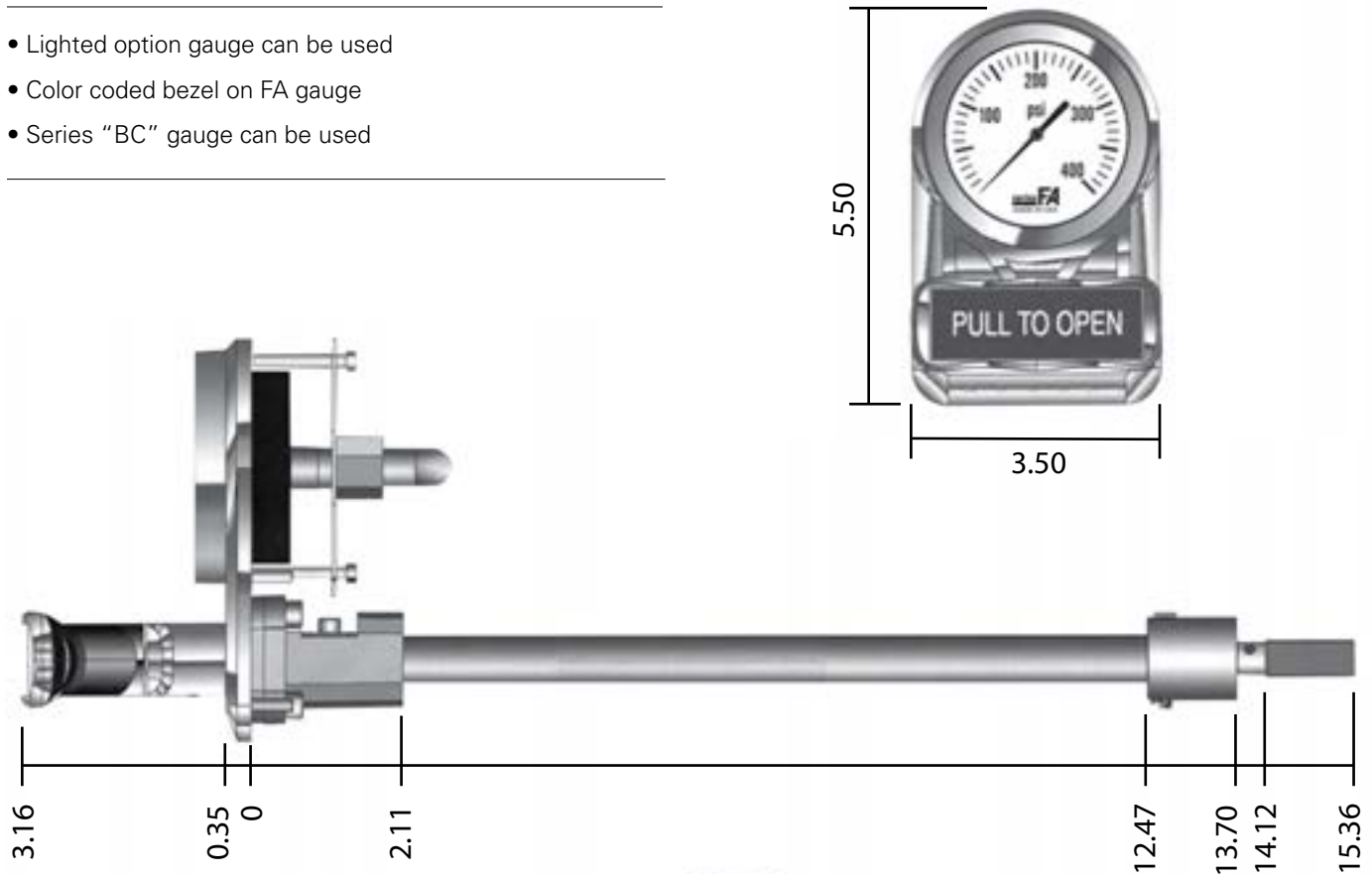
1225 Pearl Street, Waukesha, WI 53186 • Phone: 262-547-1789 • Fax: 262-547-6493
Web: www.thuemling.com • Email: thuemling@earthlink.net



Module One Piece Assembly

Available Options

- Lighted option gauge can be used
- Color coded bezel on FA gauge
- Series "BC" gauge can be used



Thuemling Instrument Group

1225 Pearl Street, Waukesha, WI 53186 • Phone: 262-547-1789 • Fax: 262-547-6493
 Web: www.thuemling.com • Email: thuemling@earthlink.net

