

Series SCBA Compressor and Breathing Air Gauge - 2.5"

Overview

- Original Span design gauge
- When leak integrity and accuracy are critical
- Made in the USA

Benefits

- Full 2 1/2" dial for easy readability
- "ICD" for fully filled glycerin fill

Standard Features

- Case material: Zytel Nylon
- Bezel material: Chrome plated nylon
- Socket: 1/4" NPT male brass center back connection
- Bourdon Tube: Phosphor bronze
- Lens: Acrylic
- Fill Fluid: Non yellowing low temperature interlube – rated -40 to +150 F service
- Dial: Aluminum, two-sided baked enamel finish
- Accuracy: 1% full scale – ANSI Grade 1A
- Ranges: 0-200; 600, 1000, 3000, 7500, 10,000 PSI
- Pointer: Black Aluminum
- Mounting: U-Clamp studded case with 2 piece bracket
- Gaskets: EPDM

Available Options

- Color coded bezels to match NFPA colors and push pull tags
- "DPM" Dry dashpot shock proof non-filled gauge
- Other ranges available upon request
- Custom dial faces available upon request

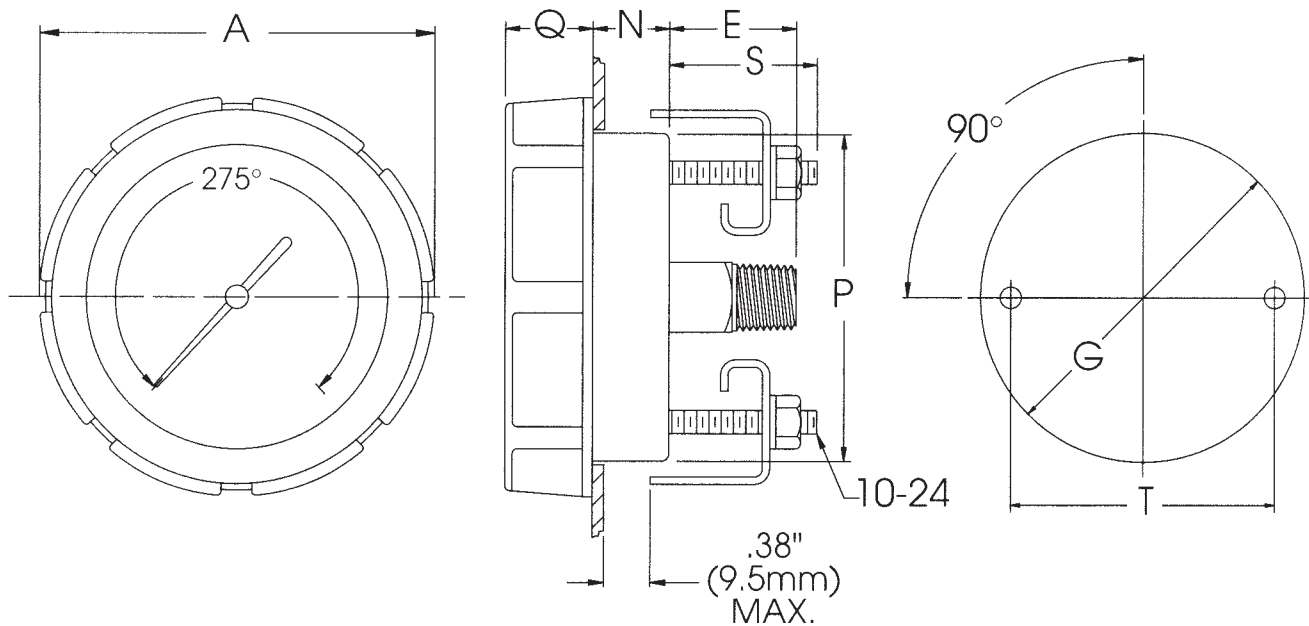


Thuemling Instrument Group

1225 Pearl Street, Waukesha, WI 53186 • Phone: 262-547-1789 • Fax: 262-547-6493
Web: www.thuemling.com • Email: thuemling@earthlink.net



Series SCBA Compressor and SCBA Gauge – 2.5"



Dimensions								
Dial	A	E	G	N	P	Q	S	T
2.5"	3.23"	1.06"	2.69"	0.62"	2.63"	0.71"	1.20"	2.15"

Thuemling Instrument Group

1225 Pearl Street, Waukesha, WI 53186 • Phone: 262-547-1789 • Fax: 262-547-6493
 Web: www.thuemling.com • Email: thuemling@earthlink.net

