

Series SC Compressor and Breathing Air Gauge - 63 mm

Overview

- For high vibration and pulsation
- 63 mm case size gauge
- Made in the USA

Benefits

- Fits all 63 mm panel cut outs
- Stainless steel for harsh environments
- Easy mounting system

Standard Features

- Case material: 304 stainless steel
- Bezel material: Crimp on stainless steel
- Socket: 1/4" NPT male brass center back connection
- Bourdon Tube: Phosphor bronze
- Lens: Polycarbonite
- Fill Fluid: Non yellowing low temperature interlube – rated -40 to +150 F service
- Dial: White ABS
- Accuracy: 2-1-2% ASME B40.100 Grade 1A
- Ranges: 0-200; 600, 1000, 3000, 7500, 10,000 PSI
- Pointer: Black Aluminum
- Mounting: U-Clamp studded case with bracket
- Gaskets: EPDM

Available Options

- "DPM" Dry dashpot shock proof non-filled gauge
- Other ranges available upon request
- Custom dial faces available upon request



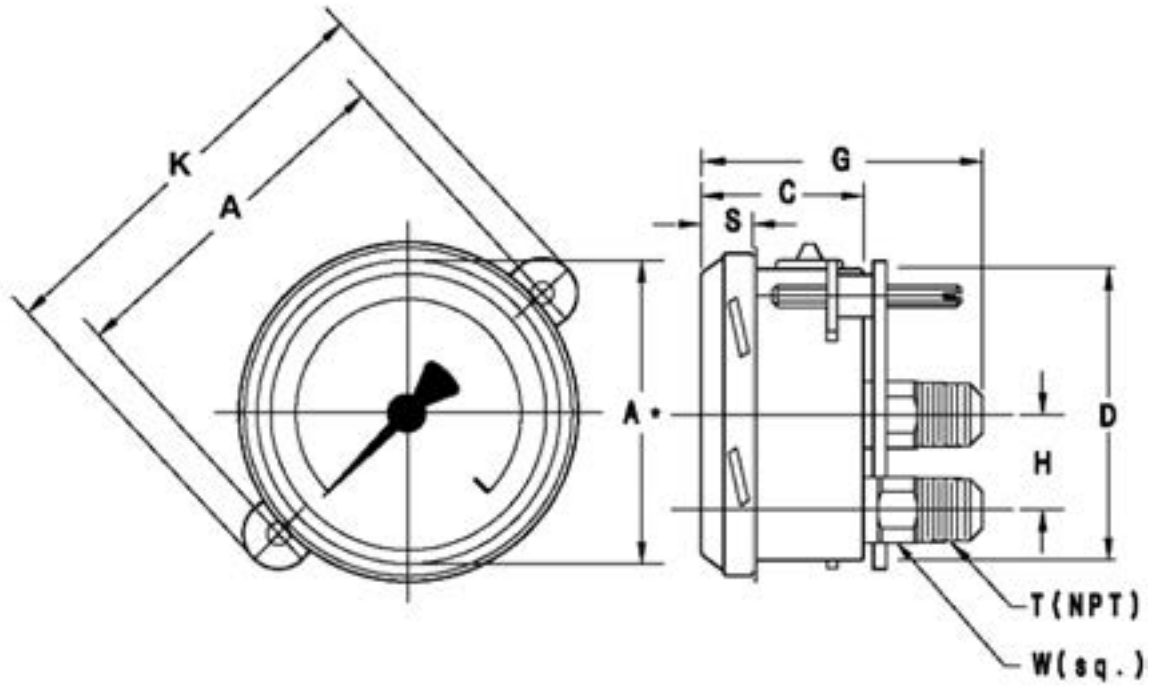
Thuemling Instrument Group

1225 Pearl Street, Waukesha, WI 53186 • Phone: 262-547-1789 • Fax: 262-547-6493
Web: www.thuemling.com • Email: thuemling@earthlink.net

© 2011 Copyright Thuemling Instrument Group



Series SC Compressor and SCBA Gauge – 63 mm



Dimensions														
Dial	A	B	C	D	E	G	H	J	K	M	N	S	T	W
63 mm	69	54	32	62	13	54	-	3.6	72	88.1	75	6.5	-	14
2.5"	2.69	2.13	1.26	2.45	0.51	2.13	-	0.14	2.83	3.47	2.95	0.26	0.25	0.55

Thuemling Instrument Group

1225 Pearl Street, Waukesha, WI 53186 • Phone: 262-547-1789 • Fax: 262-547-6493
 Web: www.thuemling.com • Email: thuemling@earthlink.net

