

Series EG Electronic Fire Apparatus Gauge – 2.5” and 4.5”

Overview

- Affordable electronic gauge
- Includes transducer, cable and gauge head

Benefits

- Ideal for severe and harsh applications
- Ultimate electronic accuracy
- No piping required
- No heat trace lines needed

Standard Features

- Case material: Zytel Nylon
- Bezel material: Chrome plated nylon
- Bourdon Tube: Phosphor bronze
- Lens: Acrylic
- Fill Fluid: Non DRY gauge
- Dial: Aluminum, two-sided baked enamel finish
- Accuracy: 1/2% full scale
- Ranges: 2.5” 0-600; 4.5” 30-0-600; PSI
- Pointer: Red Aluminum
- Mounting: Mounting studs with clamp and adhesive gasket for waterproof seal
- Gaskets: EPDM
- Lighted: Red LED backlight



Thuemling Instrument Group

1225 Pearl Street, Waukesha, WI 53186 • Phone: 262-547-1789 • Fax: 262-547-6493
Web: www.thuemling.com • Email: thuemling@earthlink.net



Series FA Fire Apparatus Gauge – 3.5"

Ordering Guide

TRANSDUCER SPECIFICATIONS:

Connection: 1/4" NPT male 316 stainless steel

Housing: Waterproof, NEMA IV rated

Accuracy: 1/2" Span

Input: 12 volt DC

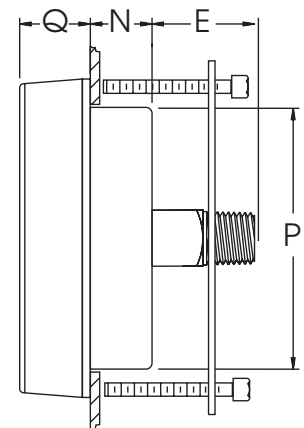
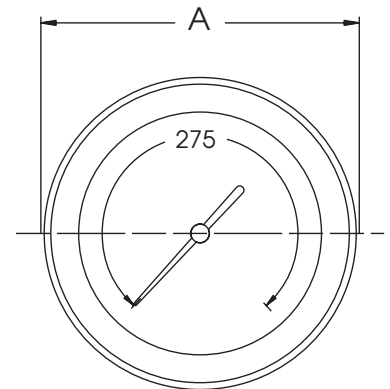
Output: .5 - 4.5 volts

Cable: 5' cable - longer is available

ORDER GUIDE:

2.5" PN EGLFP210-600 PSI

4.5" PN EGLFP410-30-0-600 PSI



Dimensions

Dial	A	E	N	P	Q	Panel Cut-out
2.5"	3.23"	1.06"	0.62"	2.63"	0.71"	2.69"
4.5"	5.30"	1.06"	0.62"	4.80"	0.71"	4.85"

Thuemling Instrument Group

1225 Pearl Street, Waukesha, WI 53186 • Phone: 262-547-1789 • Fax: 262-547-6493

Web: www.thuemling.com • Email: thuemling@earthlink.net

© 2011 Copyright Thuemling Instrument Group

